

Hebrews 4:14- 5:10

## **Jesus the Great High Priest**

Therefore, since we have a great high priest who has gone through the heavens, Jesus the Son of God, let us hold firmly to the faith we profess. For we do not have a high priest who is unable to sympathize with our weaknesses, but we have one who has been tempted in every way, just as we are--yet was without sin.

Let us then approach the throne of grace with confidence, so that we may receive mercy and find grace to help us in our time of need.

Every high priest is selected from among men and is appointed to represent them in matters related to God, to offer gifts and sacrifices for sins. He is able to deal gently with those who are ignorant and are going astray, since he himself is subject to weakness. This is why he has to offer sacrifices for his own sins, as well as for the sins of the people. No one takes this honour upon himself; he must be called by God, just as Aaron was. So Christ also did not take upon himself the glory of becoming a high priest. But God said to him, "You are my Son; today I have become your Father. " And he says in another place, "You are a priest forever, in the order of Melchizedek." During the days of Jesus' life on earth, he offered up prayers and petitions with loud cries and tears to the one who could save him from death, and he was heard because of his reverent submission.

Although he was a son, he learned obedience from what he suffered and, once made perfect, he became the source of eternal salvation for all who obey him and was designated by God to be high priest in the order of Melchizedek.

Hebrews 4:14- 5:10

*Another example of an odd chapter division*

Hebrews 4:  
14-16

Jesus the Great  
High Priest

Hebrews 5:  
1-10

Jesus the Great  
High Priest

Therefore

This “therefore” is now ‘before’, connecting what follows

**We have a priest (therefore) let us hold on to our faith**

since we have a great high priest



This term isn't used of other priests.

who has gone through the heavens,



Jesus the Son of God

This is who he really is.



let us hold firmly to the faith we profess.



Will you abandon your faith in Him?

For we do not have a high priest who is unable to sympathize  
with our weaknesses,

The readers/hearers are familiar with  
the role and work of the high priest

He:-

Represents people before God

Intercedes on their behalf

He knows what it is like for us

This is profoundly true of Jesus

but we have one who has been tempted in every way,  
just as we are-



He's been through every trial you could face  
He became a man in a fallen world

-yet was without sin.

He must be God!

No other human has ever done this

John 8:46 Can any of you prove me guilty of sin?

Let us then approach the throne of grace



We can enter as priests through Jesus' work for us

Let us then approach the throne of grace  
with confidence,



The garments of the high priest when  
he entered the Holy of Holies

Leviticus 16:4 He is to put on the sacred  
linen tunic, with linen undergarments  
next to his body; he is to tie the linen  
sash around him and put on the linen  
turban.

No presumption. Rather in humility because we are INVITED to come!

so that we may receive mercy and find grace to help us  
in our time of need.



Mercy - Forgiveness of sins (not getting what we deserve)

Grace to live in demanding times (getting what we don't deserve)

Ephesians 6:13 Therefore put on the full armour of God, so that  
when the day of evil comes, you may be able to stand your ground,



Every high priest is selected from among men

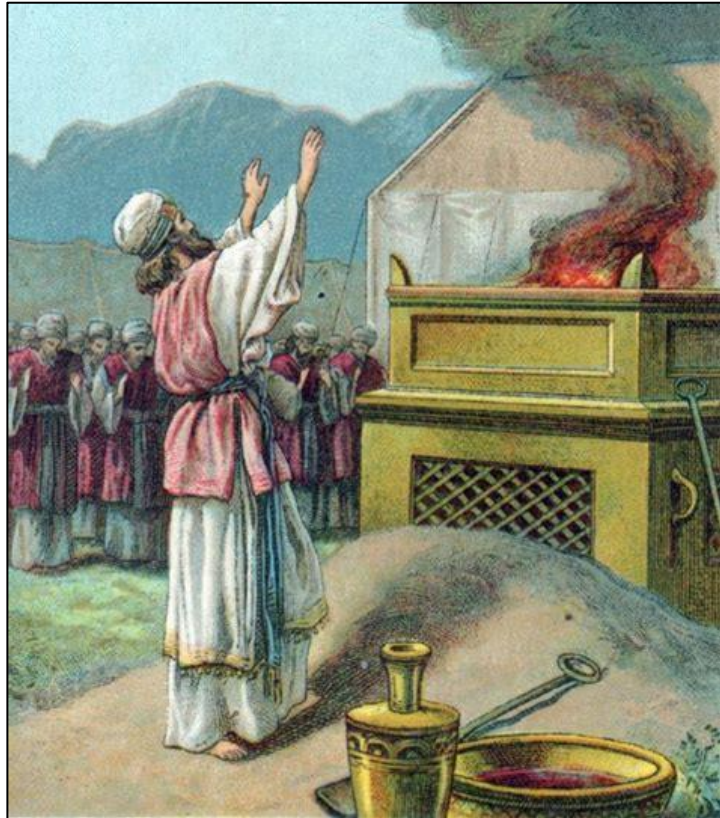


Human



and is appointed to represent them in matters related to God,  
to offer gifts and sacrifices for sins.

## Representative before God



Exodus 28:9-10 "Take two onyx stones and engrave on them the names of the sons of Israel -in the order of their birth--six names on one stone and the remaining six on the other.



He is able to deal gently with those who are ignorant and are going astray,  
since he himself is subject to weakness.

The High Priest should know what it's like to be weak

And so help those who are ignorant or going astray



This is why he has to offer sacrifices for his own sins,  
as well as for the sins of the people.

This was true of Aaron and all the other priests that came after



No one takes this honour upon himself;  
he must be called by God, just as Aaron was.

God chose Aaron (non-democratic!)  
It was not a human decision – God is Sovereign



This work depends on God's choice

So Christ also did not take upon himself the glory of becoming a high priest. But God said to him, "You are my Son; today I have become your Father. "

So Jesus was also chosen to become the Saviour

Jesus has always been the Son, but the context here shows it relates to his appointment at that time to become the Mediator

Psalm 2:6-7 "I have installed my king on Zion, my holy mountain." I will proclaim the LORD's decree: He said to me, "You are my son; today I have become your father.

And he says in another place,  
"You are a priest forever, in the order of Melchizedek."

Jesus' appointment to the priesthood was not in the line of Aaron – the Levitical order, but like the Priest-King Melchizedek (considered later in the letter)



Jesus has an eternal Priesthood appointment



During the days of Jesus` life on earth, he offered up prayers and petitions with loud cries and tears to the one who could save him from death,

Especially so in the garden of Gethsemane

Matthew 26:37-38 He took Peter and the two sons of Zebedee along with him, and he began to be sorrowful and troubled. Then he said to them, "My soul is overwhelmed with sorrow to the point of death. Stay here and keep watch with me."



and he was heard because of his reverent submission.

Was he saved from death?

Acts 2:31-32 Seeing what was to come, *David* spoke of the resurrection of the Messiah, that he was not abandoned to the realm of the dead, nor did his body see decay. God has raised this Jesus to life, and we are all witnesses of it.

reverent submission

Matthew 26:39 Going a little farther, he fell with his face to the ground and prayed, "My Father, if it is possible, may this cup be taken from me. Yet not as I will, but as you will."



Although he was a son, he learned obedience from what he suffered

He learned to trust through the trials  
And grew stronger through them



1 Peter 1:7 These have come so that the proven genuineness of your faith--of greater worth than gold, which perishes even though refined by fire--may result in praise, glory and honour when Jesus Christ is revealed.

and, once made perfect,

QUALIFIED !

He did the unique training course and earned  
the certificate “The Saviour”



he became the source of eternal salvation for all who obey him

The ONLY source – without him we are lost

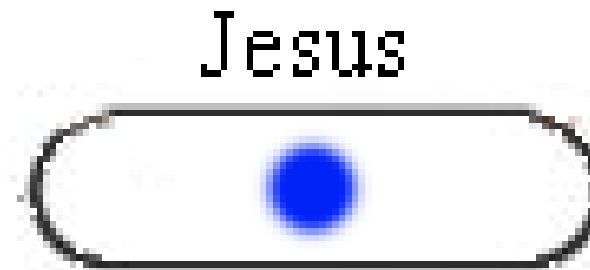
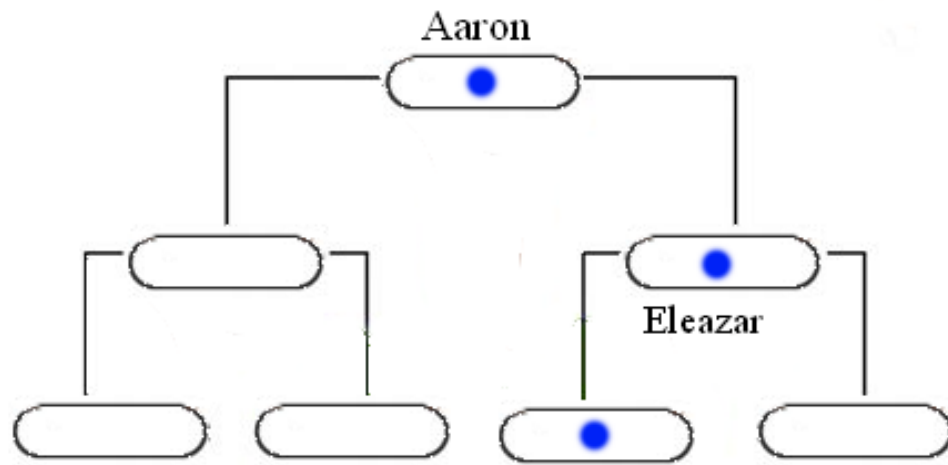
It's eternal

John 10:28-30 I give them eternal life, and they shall never perish; no-one will snatch them out of my hand. My Father, who has given them to me, is greater than all; no-one can snatch them out of my Father's hand. I and the Father are one."

And it is demonstrated by our OBEDIENCE

and was designated by God to be high priest in the order of Melchizedek.

Jesus' appointment to the priesthood was not in the line of Aaron – the Levitical order, but like the Priest-King Melchizedek (considered later in the letter)



The fully qualified High Priest of a different order to Aaron's line

In these early chapters of Hebrews

We see Jesus compared with:-

1, angels

2, Moses

3, Joshua

4, Aaron

In every case, Jesus is better.

Why would they think of leaving?

## Questions

What does Jesus as the High Priest mean to you?

How does what Jesus went through in his ministry help us?

What effect have trials had on your faith?

Who are “those who are ignorant and are going astray” and how can we help them?